



特点

- * 外形尺寸: 86.0 × 83.0 × 12.7 mm
- * 2:1 电压输入范围
- * 全表面贴装器件
- * 基板工作温度 85℃

Features

- * Small Size: 3.39 × 3.27 × 0.50 inch
- * 2:1 Input Voltage Range
- * Surface Mounted
- * 85℃ Baseplate Operation

输入特性(Input)

注释(Notes and Conditions)

输入电压范围(Input Voltage Range)			
标称(Nominal)	280Vdc	200~400Vdc	440Vdc Max
遥控功能(Remote On/Off Function)			
负逻辑(Negative Logic)	开启(On)	低电平(0~0.3V)或短路 (Connect to -Vin)	相对于 -Vin (Reference to -Vin)
	关闭(Off)	高电平(1.4V~50V)或悬空 (High Level or Open Circuit)	

输出特性(Output)

注释(Notes and Conditions)

输出电压精度(Voltage Set-Point Accuracy)	± 1%	V _{inom} and I _{nom}
输出电压调节范围(Output Voltage Trim Range)	± 10%	
源效应(Line Regulation)	± 0.4%V _o	V _{imin} ~V _{imax} , I _{nom}
负载效应(Load Regulation)	± 0.8%V _o	10%~100%I _{nom} , V _{inom}
输出过压保护(Output Overvoltage Protection)	110%~145%V _o	自恢复, 人工复位加后缀 "/M"
输出过流保护点(Current Limit Threshold Range)	105%~150%I _{nom}	V _{inom}
短路保护(Short-Circuit Protection)	连续可恢复 (Continuous ,Automatic Recovery)	
瞬态响应(Dynamic Response)		
过冲幅度(Peak Deviation)	± 5%V _o	25%-50%-25% of I _{nom}
恢复时间(Settling Time)	200 μs	and 50%-75%-50% of I _{nom}
IOG信号(IOG Signal)	模块正常工作信号, 此端呈低电平状态 (Converter Operation Good Signal, Condition of Low Level)	
CS信号(CS Signal)	使用 CS 端子, 外加回路可实现均流 (By Using External Circuit, Output Current Balance Operation)	

一般特性(General)

注释(Notes and Conditions)

温度系数(Temperature Coefficient)	± 0.02%/℃	
隔离电压(Isolation Voltage)		
输入与输出(Input-Output)	2kVdc or 1.5kVac 1min, 20mA	
输入与外壳(Input-Case)	2kVdc or 1.5kVac 1min, 20mA	
输出与外壳(Output-Case)	500Vdc 1min	
工作基板温度(Operating Baseplate Temperature)	- 20℃~ + 85℃	
贮存温度(Storage Temperature)	- 40℃~ + 100℃	
冷却方式(Cooling)	加装散热器或强制风冷 (Attach Heatsink or Forced Convection)	
过温保护(Thermal Shutdown Range)	100℃~110℃	基板温度(Baseplate Temperature)
平均故障间隔时间(MTBF)	2 × 10 ⁵ h	MIL-HDBK-217
重量(Weight)	200g	

注: 除非另有说明, 指标一般在标称输入电压、满载和 25℃ 基板温度下测得。

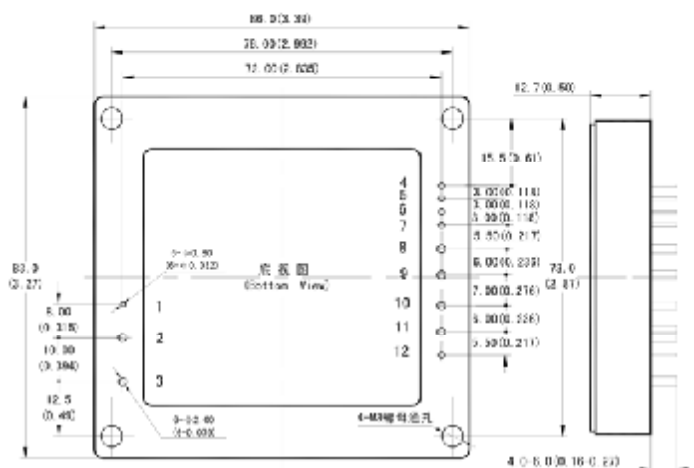
Note: All specifications are typical at nominal input ,full load at 25℃ baseplate temperature unless otherwise stated.

型号列表 (Models)

产品型号 (Model Number)	标称输入电压 (Input Voltage) Vdc	标称输出电压 (Output Voltage) Vdc	标称负载 (Output Current) A	额定输出功率 (Output Power) W	效率 (Efficiency) %	输出杂音电压峰峰值 (Ripple and Noise) mVp-p
HAB-L3004SE/M	280	24	12.50	300.0	88	200
HAB-L30028SE	280	28	10.80	302.4	88	200
HAB-L30028SE(B)	280	28	10.80	302.4	88	200
HAB-L30028SE/M	280	28	10.80	302.4	88	200
HAB-L3005SE/M	280	48	6.30	302.4	88	400

注:带后缀“(B)”的型号,基板工作温度为-40℃~+100℃;带后缀“/M”为过压保护后需重新上电或遥控开关恢复输出。
 Note: Model number with suffix“(B)”,baseplate operation temperature is -40℃~+100℃.For Model number with suffix“/M”,manuel reset after overvoltage shutdown.

安装尺寸 (Mechanical Drawing)



尺寸单位是 mm(inches); All Dimensions in mm (inches)

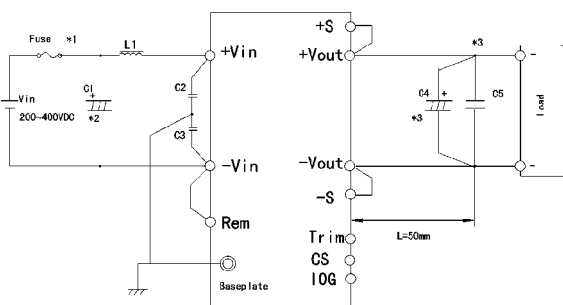
引脚定义 (Pin Definition)

引脚(Pin)	单路(Single)
1	Rem
2	-Vin
3	+Vin
4	IOG
5	CS
6	Trim
7	-S
8	-Vout
9	-Vout
10	+Vout
11	+Vout
12	+S

未注公差按下表

(Tolerances Unless Otherwise Specified)	
mm	inches
.x ±0.5	.xx ±0.02
.xx ±0.13	.xx ±0.005

应用电路推荐 (Recommended Application Circuit)



Fuse 推荐值(Recommended): 5A

- *1 C1 推荐值: 大于 22 μ F (电解电容)
C1 Recommended: Above 22 μ F Electrolytic Capacitor
- *2 C2&C3 推荐值: 大于 4700pF(陶瓷电容)
C2 & C3 Recommended: Above 4700pF Ceramic Capacitor
L1 推荐值: 15 μ H
L1 Recommended: 15 μ H
- *3 C4 推荐值: 电解电容
C4 Recommended: Electrolytic Capacitor
电压 12V, 15V: 1000 μ F
Output Voltage 12V, 15V: 1000 μ F
输出电压 24V: 560 μ F
Output Voltage 24V: 560 μ F
输出电压 28V: 470 μ F
Output Voltage 28V: 470 μ F
输出电压 48V: 220 μ F
Output Voltage 48V: 220 μ F
C5 推荐值: 2.2 μ F (陶瓷电容)
C5 Recommended: 2.2 μ F (Ceramic Capacitor)

输出电压调节 (Output Voltage Trim)

